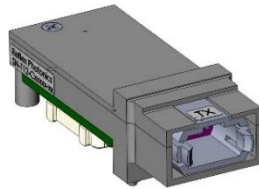


**Reflex Photonics SNAP12  
Commercial & Industrial up to 3.125, 6.25  
and 10.3125 Gbps  
Parallel Optical Transmitter/Receiver**



**Product Summary**

Reflex Photonics SNAP12 is a 12-channel pluggable parallel optical transmitter or receiver module. All modules include Reflex Photonics' state of the art **LightABLE™** optical packaging technology. The SNAP12 Transmitter and Receiver modules enable high performance multi-channel optical links designed for high-speed data communications and computing applications.

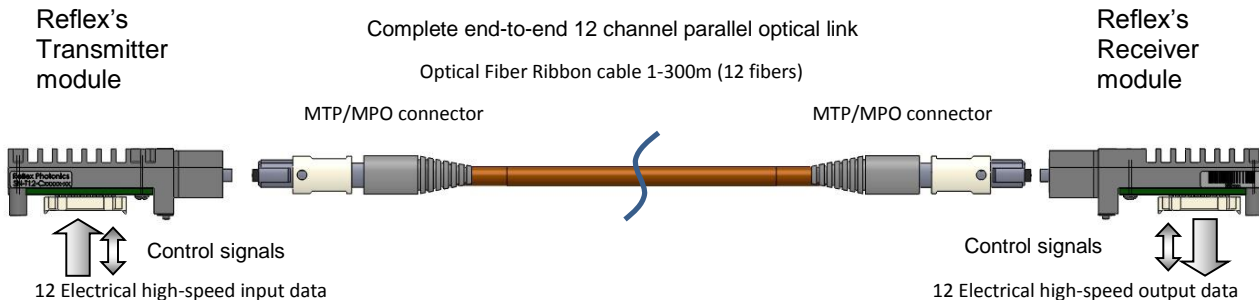
The modules are offered in **3.125, 6.25 and 10.3125 Gbps** per channel versions in **commercial** and **industrial temperature** ranges. The interconnect distance is up to 300m.

**Applications:**

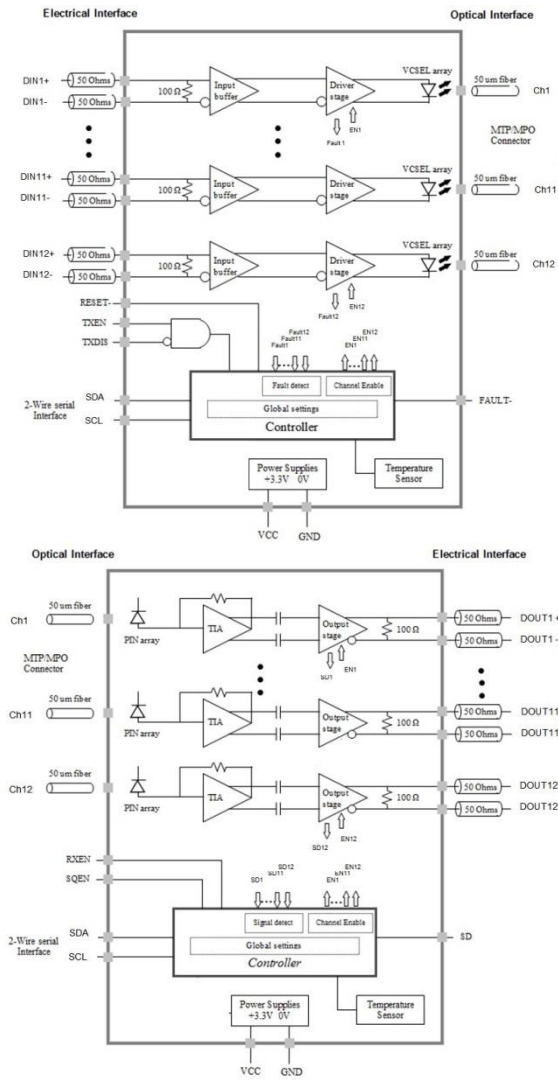
- Board to board interconnect
- Rack to rack interconnect
- System to system interconnect
- Server farms and mass storage interconnects
- High performance computing
- OIF-VSR5-01 (Very Short Reach OC-768)

**Specification and Feature Highlights:**

- 12 independent parallel optical channels
- Data rate of up to 10.3125 Gbps per channel
- Commercial operating range 0 to +70°C
- Industrial operating range -40 to +95°C
- 3G commercial version fully compatible with SNAP12 MSA
- High reliability via advanced **LightABLE™** technology
- 100mw / channel typical power consumption
- Field replaceable
- Card edge mountable
- CML/LVDS compatible electrical I/O
- OM3 and OM4 multi-mode fibers supported
- Single 3.3V power supply
- Standard MPO/MTP™ interconnect
- 850-nm short-reach OIF-VSR compatible
- Protocol agnostic



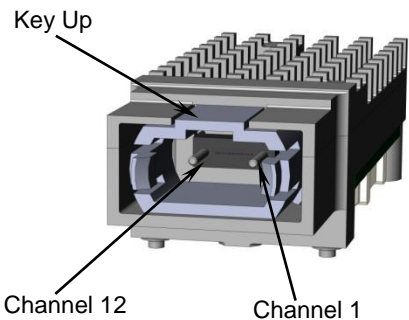
**Functional Diagram**



Functional Diagrams of SNAP12 TX / RX modules

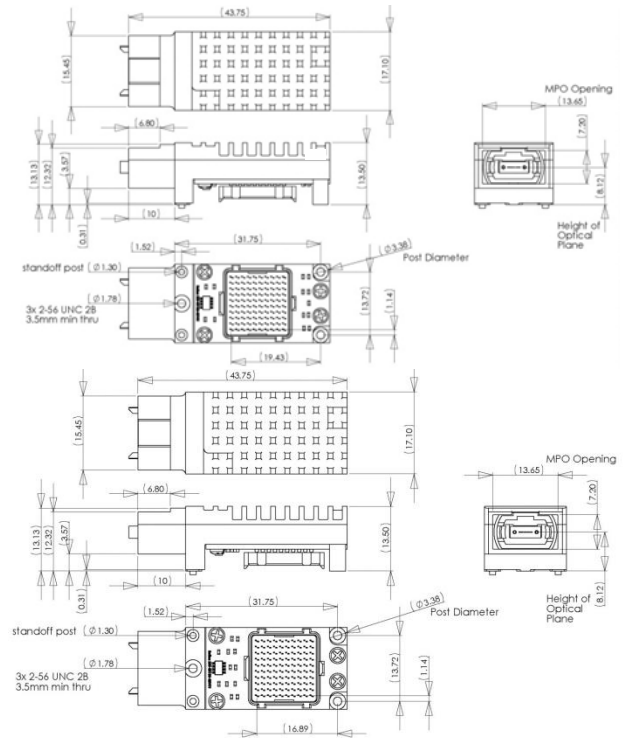
**Optical Interface Lanes**

The figure and table below show the orientation of the multimode fiber facets of the optical connector.



Functional Diagrams of SNAP12 TX / RX modules

**Mechanical**



Transmitter and Receiver mechanical outline. (Heatsink free version drawings available in datasheet 970-00257.)

**Ordering Information**

Description
Transmitter, Heat sink, <b>RoHS</b> , 3.125 Gbps (6.25, 10.3125) per channel Industrial Temp. range -40 to +95 °C (Tcase)
Receiver, Heat sink, <b>RoHS</b> , 3.125 Gbps (6.25, 10.3125) per channel Industrial Temp. range -40 to +95 °C (Tcase)
Transmitter, Heat sink, <b>RoHS</b> , 3.125 Gbps (6.25, 10.3125) per channel Commercial Temp. range 0 to +70 °C (Tcase)
Receiver, Heat sink, <b>RoHS</b> , 3.125 Gbps (6.25, 10.3125) per channel Commercial Temp. range 0 to +70 °C (Tcase)

For Part Number and more information or other packaging options contact sales at

**1-514-842-5179 or 1-408-715-1781 or**  
[sales@reflexphotonics.com](mailto:sales@reflexphotonics.com)