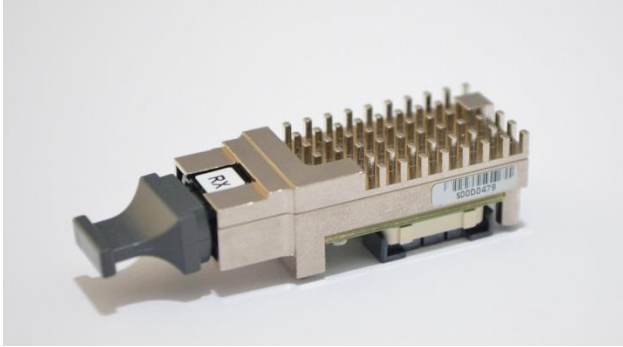


**Reflex Photonics SNAP12
Industrial 3.125Gbps**
Parallel Optical Transmitter/Receiver**



Product Summary

Reflex Photonics SNAP12 is a 12 channel pluggable parallel optical transmitter or receiver module. All modules include Reflex Photonics’ state of the art **LightABLE™** optical packaging technology. The SNAP12 Transmitter and Receiver modules enable high performance multi-channel optical links designed for high-speed data communications and computing applications.

The module operates at up to **3.125 Gbps** per channel in **industrial temperature** ranges. The interconnect distance is up to 300m.

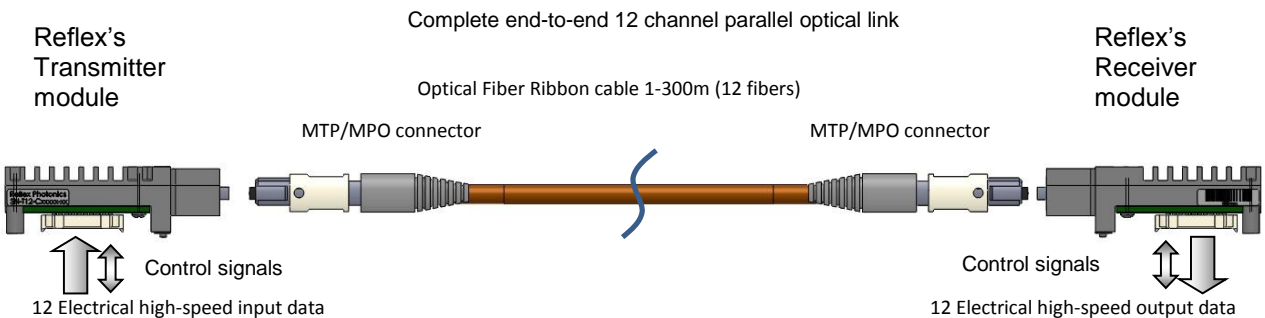
Applications:

- Board to board interconnect
- Rack to rack interconnect
- System to system interconnect
- Server farms and mass storage interconnects
- High performance computing
- OIF-VSR5-01 (Very Short Reach OC-768)

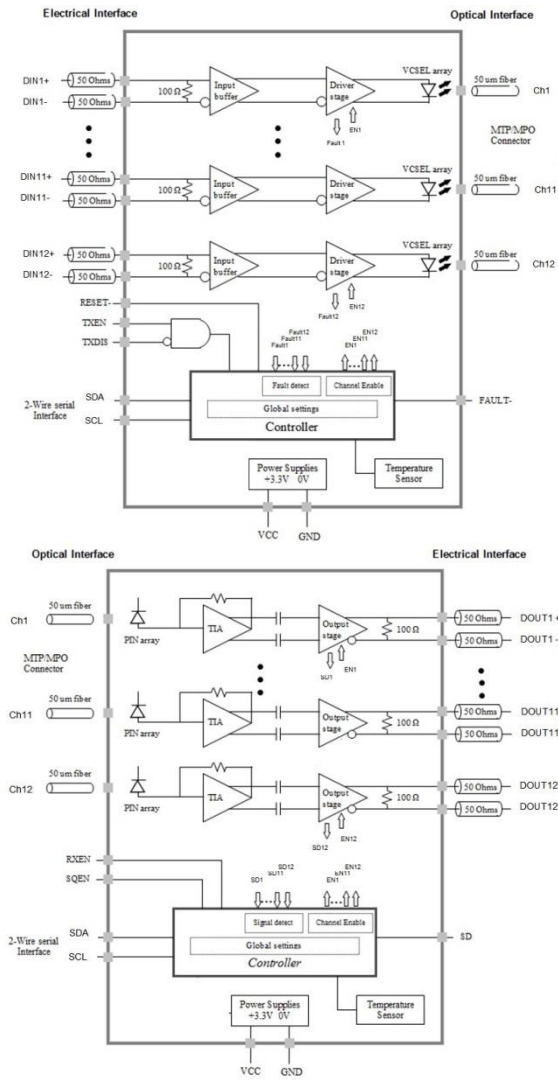
Specification and Feature Highlights:

- 12 independent parallel optical channels
- Data rate of up to 3.125 Gbps per channel
- Industrial operating range (-40 to +85°C)
- Compatible with SNAP 12 MSA
 - except TX power**
- High reliability via advanced **LightABLE™** technology
- 100mw / channel typical power consumption
- Field replaceable
- Card edge mountable
- CML/LVDS compatible electrical I/O
- OM3 and OM4 multi-mode fibers supported
- Single 3.3V power supply
- Standard MPO/MTP™ interconnect
- 850-nm short-reach OIF-VSR compatible
- Protocol agnostic

** see datasheet for more information



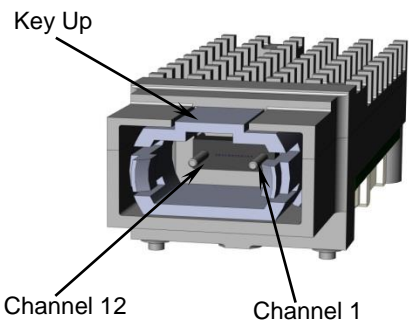
Functional Diagram



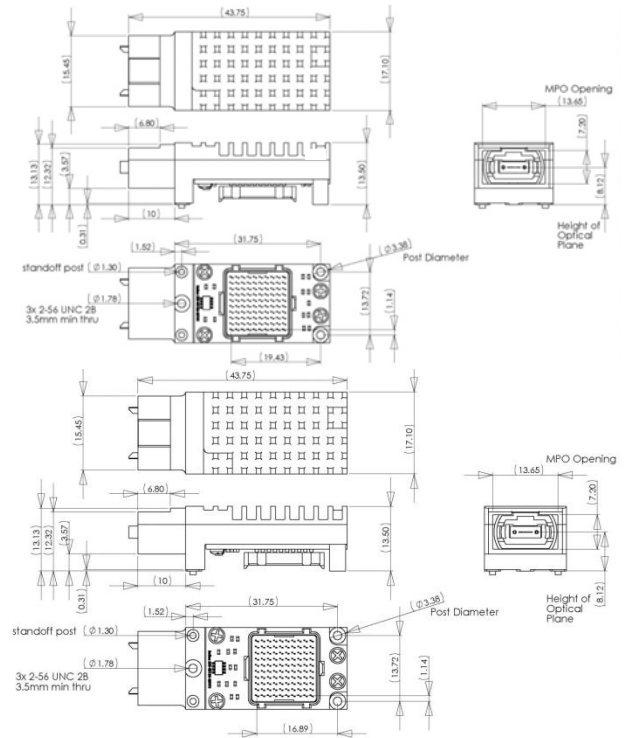
Functional Diagrams of SNAP12 TX / RX modules

Optical Interface Lanes

The figure and table below show the orientation of the multimode fiber facets of the optical connector.



Mechanical



Transmitter and Receiver mechanical outline.

Ordering Information

Description	
Transmitter, Heat sink, RoHS,	3.125 Gbps per channel
Industrial Temp. range -40 to +85 °C (Tcase)	
Receiver, Heat sink, RoHS,	3.125 Gbps per channel
Industrial Temp. range -40 to +85 °C (Tcase)	

For Part Number and more information or other packaging options contact sales at

1-514-842-5179 or 1-408-715-1781 or sales@reflexphotonics.com