



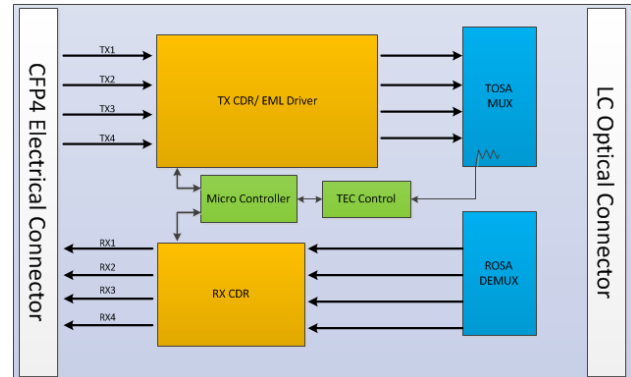
CR-X04-C12801-02

Product Summary

This product is a 100Gb/s transceiver module for optical communication applications compliant to 100GBASE-LR4 of the IEEE P802.3ba standard. The module converts 4 input channels of 25Gb/s electrical data to 4 channels of LAN WDM optical signals and then multiplexes them into a single channel for 100Gb/s optical transmission. Reversely on the receiver side, the module de-multiplexes a 100Gb/s optical input into 4 channels of LAN WDM optical signals and then converts them to 4 output channels of electrical data.

The central wavelengths of the 4 LAN WDM channels are 1295.56, 1300.05, 1304.58 and 1309.14 nm as members of the LAN WDM wavelength grid defined in IEEE 802.3ba. The high performance cooled LAN WDM EA-DFB transmitters and high sensitivity PIN receivers provide superior performance for 100Gigabit Ethernet applications up to 10km links and compliant to optical interface with IEEE802.3ba Clause 88 100GBASE-LR4 requirements.

The product is designed with form factor, optical/electrical connection and MDIO interface according to the CFP4 Multi-Source Agreement (MSA). The innovative design has all fibers inside the CFP4 package configured without any splicing or non-permanent connector. Also, fiber routines are neatly organized and fixed inside a stainless steel container.



CFP4 LR4 Transceiver Block Diagram

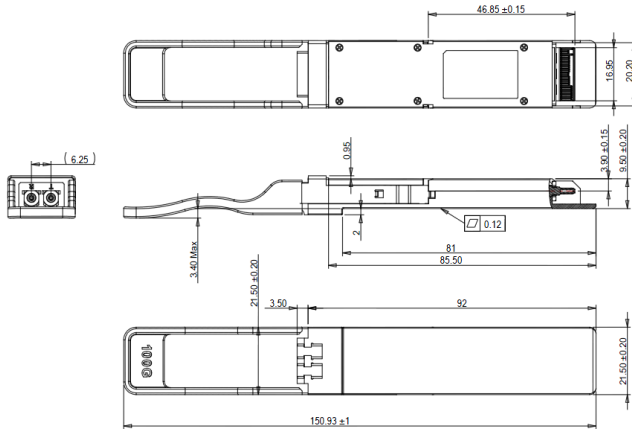
Specifications and Features Highlights

- Hot pluggable CFP4 MSA form factor
- Compliant to IEEE 802.3ba 100GBASE-LR4 and CFP-MSA-CFP4-HW-Specification
- Up to 10km reach for G.652 SMF
- Single +3.3V power supply
- Operating case temperature: 0-70°C
- Transmitter: cooled 4x25Gb/s LAN WDM EML TOSA (1295.56, 1300.05, 1304.58, 1309.14nm)
- Receiver: 4x25Gb/s PIN ROSA
- 4x28G Electrical Serial Interface (CEI-28G-VSR)
- MDIO management interface with digital diagnostic monitoring
- Duplex LC receptacle
- RoHS-6 compliant

Applications

- 100GBASE-LR4 Ethernet Links
- Client-side 100G Telecom connections
- OTN OTU4

Mechanical Considerations



Compliance

Description	Specification
Safety	Laser Class 1 product EN 60825-1: 2014
RoHS	RoHS-6 Compliant
General information only; details are in data spec	

Ordering information

Part Number	Description
CR-X04-C12801-02	CFP4 LR4 10km optical transceiver with full real-time digital diagnostic monitoring and pull tab

For more information on this or other products:
 Contact sales at
1-514-842-5179 or **1-408-715-1781** by email at
sales@reflexphotonics.com

© Copyright 2016; Reflex Photonics, Inc.

This document including pictures and drawings contains information about a new product during its early phase of development. The information contained herein is given to describe certain components and shall not be considered as a guarantee of characteristics. Reflex Photonics reserves the right to change the design or specifications of the product at any time without notice. The material is provided as is and without any warranties, including but not limited to warranties of non-infringement, description and fitness for a particular purpose.

Disclaimer: Information furnished by Reflex Photonics is believed to be accurate and reliable. However, no responsibility is assumed for its use. Reflex Photonics makes no representation that the interconnection of its circuits as described herein will not infringe on existing patent rights.

Note: Document revision history is present in separate document.