

The most rugged high-performance embedded parallel optics.



Optical Tester SR4 40G
4 channel transmit +4 channel receive

Optical Tester SR4 40G

Features

- Designed to operate up to 10.3125 Gbps per channel.
- 4× TX and 4× RX high-speed channels each accessible via a differential pair of SMA connectors.
- AC coupled high-speed signals.
- Single power supply, standard wall-plug interface.
- Also available, Optical Tester SR4 10G:
1× TX and 1× RX high-speed signal each accessible via a differential pair of SMA connectors.

Product summary

The Optical Tester SR4 is the perfect vehicle for testing and experiencing the *LightABLE*™ SR4 transceiver modules. The Optical Tester SR4 consists of a printed circuit evaluation board with a pluggable SR4 transceiver module. The *LightABLE* SR4 optical transceivers offer four asynchronous channels operating at up to 10.3125 Gbps per channel. These modules are designed for very short reach applications (1 m to 100 m) with support on 50/125 micron multimode fiber (OM3).

This product needs to be associated with all the necessary hardware, test and measurement equipment and software in order to perform the characterization of an optical link.

Applications

- Assess electrical and optical signal quality from the *LightABLE* SR4.
- Perform bit error rate and eye diagram test on the *LightABLE* SR4 and optical interconnect.
- 4 channel EO/OE lab-grade generator.
- Test various communication protocols such as Ethernet, PCIe, and Infiniband over the *LightABLE*.

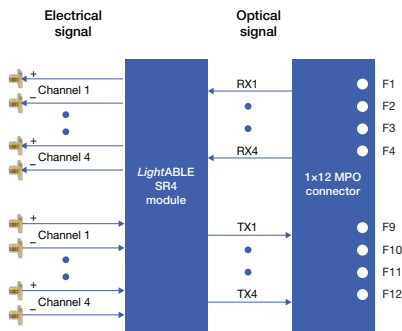
Recommended test equipment

A wide variety of electrical and optical measurements can be performed with the Optical Tester SR4 based on the transceiver module. As a general guideline, we recommend the following test equipment:

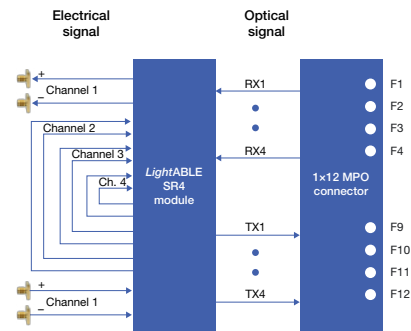
- SMA cables with a bandwidth in excess of 40 GHz are preferred.
- A pulse generator and a signal analyzer to perform both signal patterns (eye diagram) and bit error rate measurements (BERT).
- All measurements on the electrical outputs of the receiver board should use an oscilloscope with a minimum bandwidth of 18 GHz.
- Calibrated optical attenuator and power meter for optical tests at 850 nm.

Optical Tester SR4 diagrams and dimensions

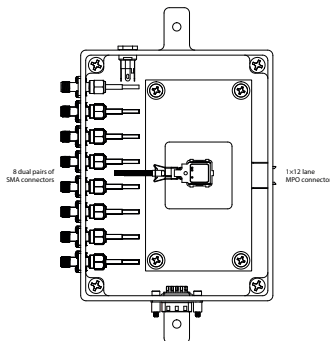
The Optical Tester SR4 is available in two configurations: 40G (4+4 lane) and 10G (1+1 lane). Dual pairs of SMA connectors on the periphery of the Optical Tester SR4 give access to TX and RX RF signal for each channel. Optical access is provided via standard MPO connector with a 1 × 12 MT ferrule.



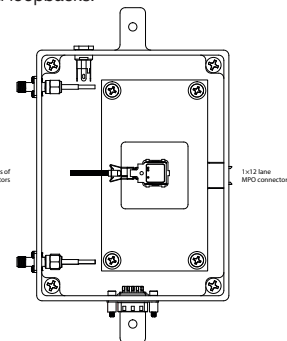
The Optical Tester SR4 40G allows RF electrical access to four TX channels and four RX channels of the SR4 transceiver.



The Optical Tester SR4 10G allows RF electrical access to one TX and one RX channel. The remaining 3 channels of TX and 3 channels of RX of the SR4 transceiver are configured as electrical loopbacks.



Optical Tester SR4 40G technical drawing



Optical Tester SR4 10G technical drawing

The Optical Tester SR4 measures approximately (D×W×H) 13 x 20 x 5.5 cm.

Optical Tester SR4 ordering information

Part Number	Description
LHD040018312102	1 × Optical Tester SR4 40G
LHD040018312101	1 × Optical Tester SR4 10G
684-00001	1 × Power supply 110 VAC to 9 V DC
500-00003	1 × MPO (1 × 12 MT) to 12 × FC fan out multimode optical fiber (OM3)
600-00012	1 × FC to FC adaptor

THE *Light* on Board® Company

www.reflexphotonics.com

Reflex Photonics Inc.

16771, Chemin Ste-Marie
Kirkland, QC
H9H 5H3, Canada

For information on Reflex Photonics products, contact:

sales@reflexphotonics.com
+1.514.842.5179 (Montreal)
+1.408.715.1781 (USA)



Reflex Photonics is certified to ISO 9001

All specifications are subject to change without notice. All brands are trademarks or registered trademarks of their respective owners and third party entities. Copyright © 2017 by Reflex Photonics.
Optical Tester_SR4_10G-40G_LTR_201706