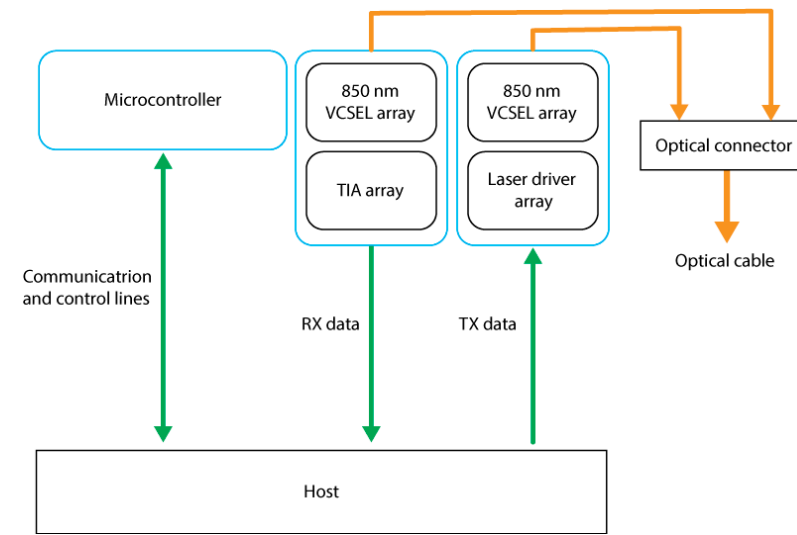
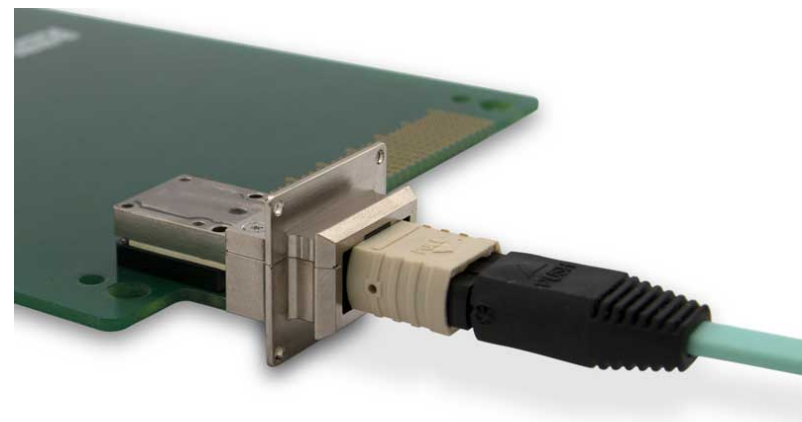


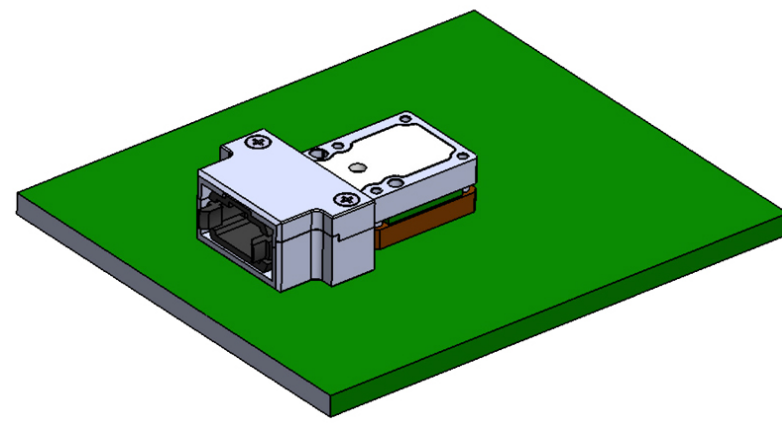
Reflex Photonics launches 24-lane 150G full-duplex embedded optical transceivers for high-density Defense and Aerospace applications.

Reflex Photonics signs a representative agreement with Matec Elektronik to increase its local presence in Turkey.



Reflex Photonics launches LightVISION optical transceiver with MPO interface for Avionics market.

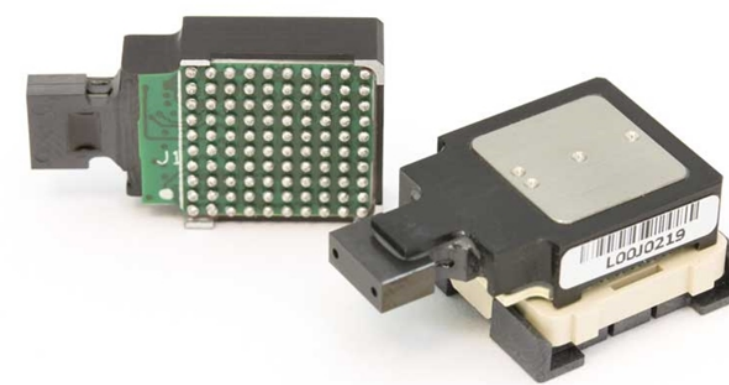
Overcome Challenges in Embedded Optical Interconnects Design.



Radiation hardened

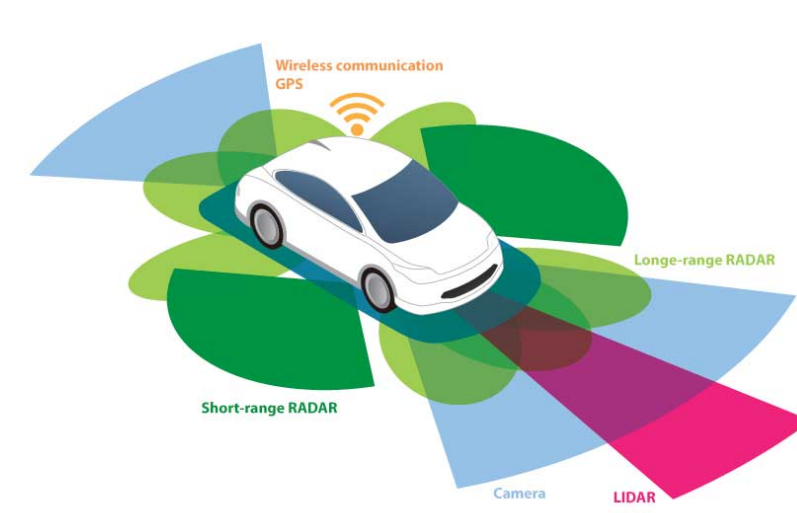
New midboard LightVISION optical transceiver with MPO interface increases design flexibility and performance.

SpaceABLE radiation-resistant optical transceivers to successfully reach more than 4000 h of accelerated life test for GEO 20 years life applications.



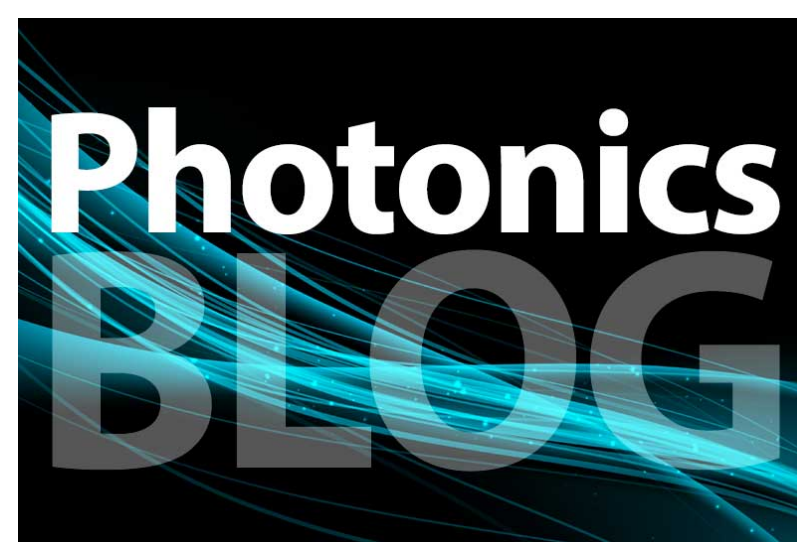
Reflex Photonics signs a representative agreement with Protec GmbH to increase its local presence in Europe.

LightABLE transceivers now offer interoperability with all types of multimode optical modules.



Optical Interconnect design challenges in space.

Test fleet data gathering for AI training of future Level 5 autonomous vehicle.



Reflex Photonics will be exhibiting in or attending the following industry trade shows and conferences. Request a meeting with a representative.

The Photronics Blog animated by Reflex Photonics experts.

